
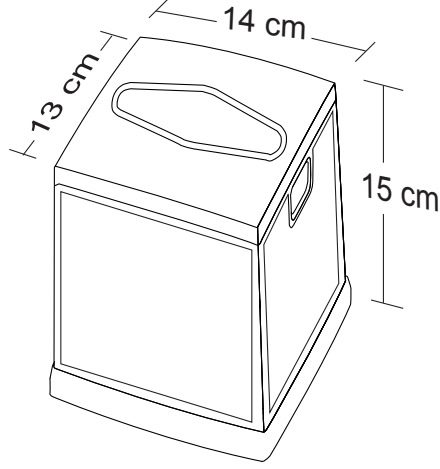
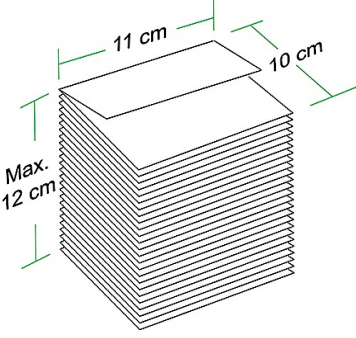
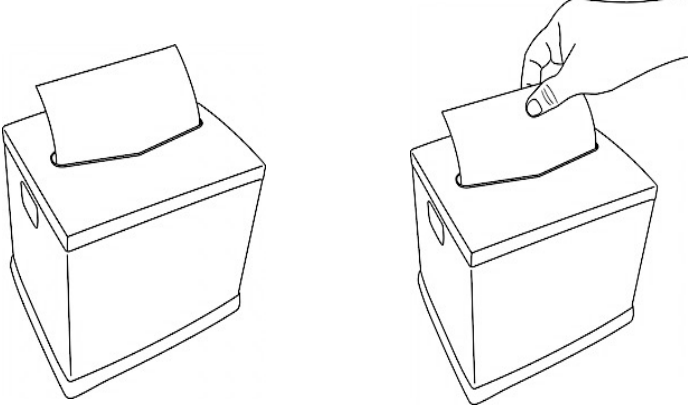


## TECHNICAL SPECIFICATION

APPEARANCE OF THE PRODUCT	
PHOTO	SCHEMA
	
USING	
	
DESCRIPTIONS	
Description of Product	Tabletop Napkin Dispenser
Product Code	NG11
Color	White
Material	ABS Plastic
Dimensions (Width x Depth x Height in cm)	14 x 13 x 15 cm
Barcode Number	869 742837 117 5
PROPER NAPKIN SPECIFICATIONS	
Suitable Tissue Type	Paper Napkin
Suitable Tissue Sizes after fold (W x D x H)	11 x 10 x max 12 cm
MANUFACTURER INFORMATION	
Manufacturer	Oguzhan Plastik ve Kalip San. Ltd. Sti.
Origin	Made in Turkey

Last Update :07.01.2017